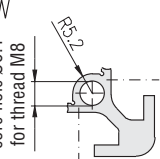
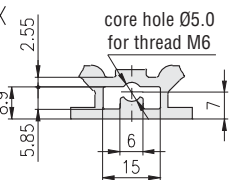
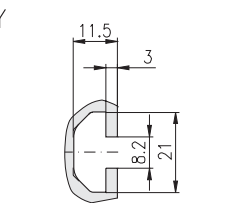

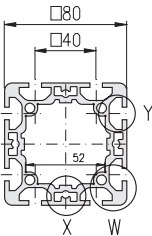
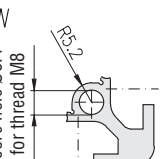
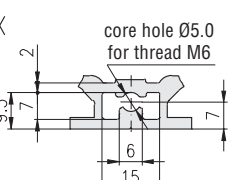
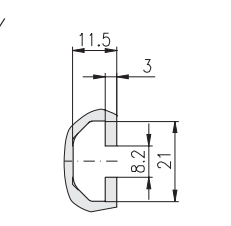

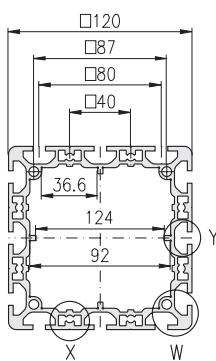
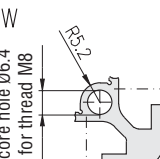
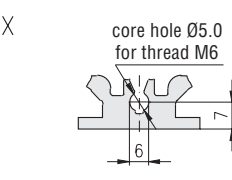
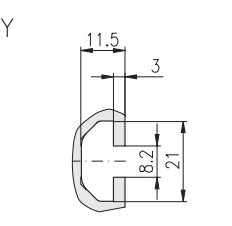
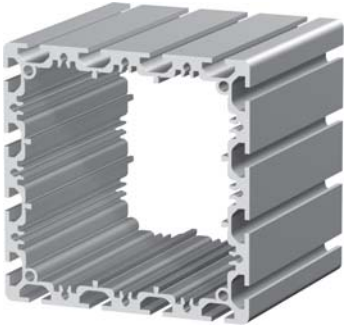
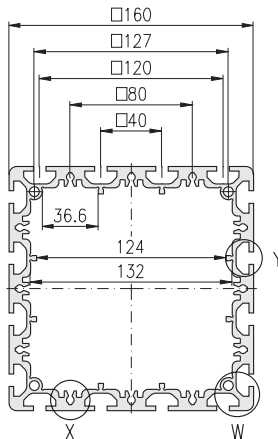
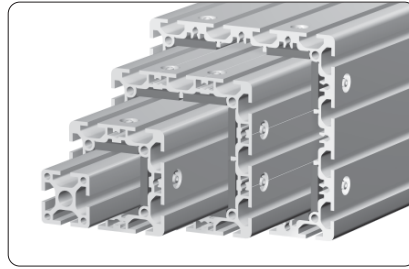


The Telescopic System

<p>Technical data material: Al Mg Si 0,5 F22 tensile strength: 220 N/mm² surface: natural anodised</p> <p>W core hole Ø6.4 for thread M8</p>  <p>X core hole Ø5.0 for thread M6</p>  <p>Y</p> 	 	
<p>Description</p>	<p>Telescopic profile 80x80, 8E, SBP</p>	
<p>bar, 6 m</p>	<p>9.11.080080.83SBP.60</p>	
<p>moment of inertia cm⁴ moment of resistance cm³ weight kg/m</p>	<p>$I_x = 150.0$ $I_y = 150.0$ $W_x = 37.5$ $W_y = 37.5$ $G = 5.3$</p>	

<p style="text-align: center; border: 1px solid black; border-radius: 10px; padding: 2px;">heavy</p> <p>Technical data material: Al Mg Si 0,5 F22 tensile strength: 220 N/mm² surface: natural anodised</p> <p>W core hole Ø6.4 for thread M8</p>  <p>X core hole Ø5.0 for thread M6</p>  <p>Y</p> 	 	<p style="text-align: center; border: 1px solid black; border-radius: 10px; padding: 2px;">heavy</p> <p>Technical data material: Al Mg Si 0,5 F22 tensile strength: 220 N/mm² surface: natural anodised</p> <p>W core hole Ø6.4 for thread M8</p>  <p>X core hole Ø5.0 for thread M6</p>  <p>Y</p> 	 
<p>Description</p>	<p>Telescopic profile 120x120, 12E, SP</p>	<p>Description</p>	<p>Telescopic profile 160x160, 16E, SP</p>
<p>bar, 6 m</p>	<p>9.11.120120.123SP.60</p>	<p>bar, 6 m</p>	<p>9.11.160160.163SP.60</p>
<p>moment of inertia cm⁴ moment of resistance cm³ weight kg/m</p>	<p>$I_x = 554.0$ $I_y = 554.0$ $W_x = 93.0$ $W_y = 93.0$ $G = 7.8$</p>		<p>moment of inertia cm⁴ moment of resistance cm³ weight kg/m</p> <p>$I_x = 1,424.0$ $I_y = 1,424.0$ $W_x = 178.0$ $W_y = 178.0$ $G = 10.7$</p>

Sliding blocks for telescopic profile



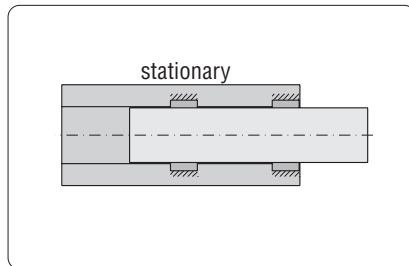
Application

Guide slot for telescopic profiles with sliding blocks

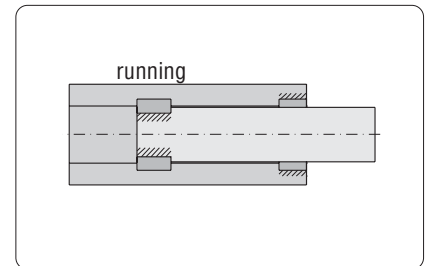
Technical data

material: PA, Murlubric
colour: green

Guide Variations

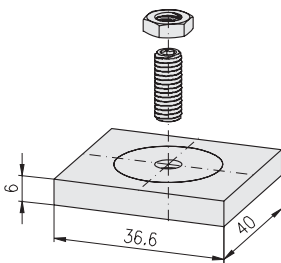
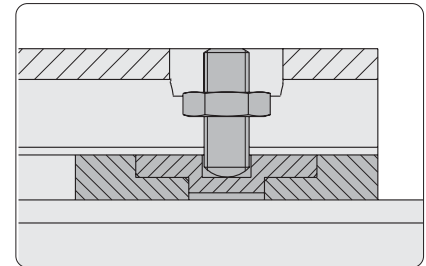
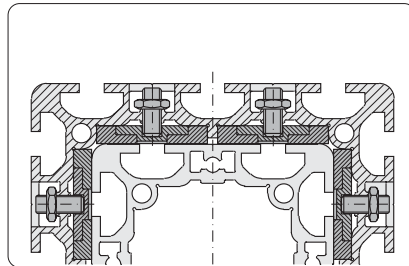


Sliding block, stationary



Sliding block, running

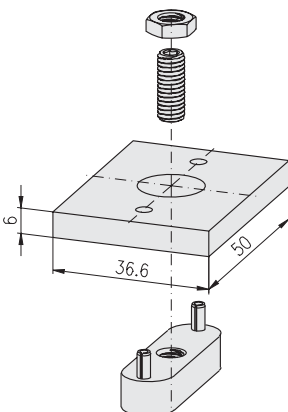
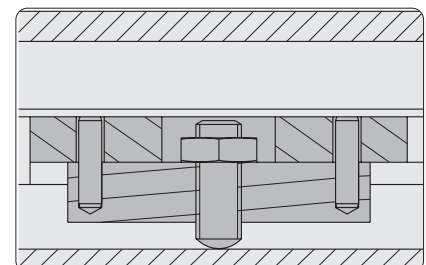
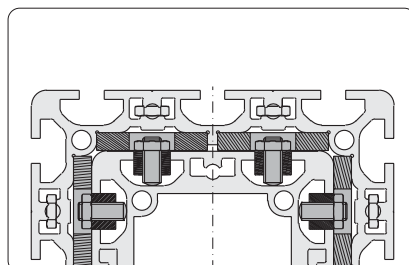
Sliding block, stationary for telescopic profile



Description

Description	Weight	Article-No.
Sliding block, stationary, 40x36.5	7.6 g	9.67.1014036
Bush for sliding block, stationary	10.8 g	9.67.1024
Setscrew, special, M6x16, with spherical head, stainless	2.6 g	0.63.MT091X.06016
Hexagonal nut, flat, DIN 439 - M6	2.2 g	0.61.D00439.M06

Sliding block, running for telescopic profile



Description

Description	Weight	Article-No.
Sliding block, running, 50x36.5	10.5 g	9.67.1015036
Feather key, A 12x8x40, thread M6, with 2 dowel pins	26.0 g	9.67.1024.1208040
Setscrew, special, M6x16, with spherical head, stainless	2.6 g	0.63.MT091X.06016
Hexagonal nut, flat, DIN 439 - M6	2.2 g	0.61.D00439.M06

Page	Article-No.	Description	bar		
			length (m)	\$/m	\$/bar
2	9.11.080080.83SBP.60	Telescopic profile 80×80, 8E, SBP	6	66.23	397.40
2	9.11.120120.123SP.60	Telescopic profile 120×120, 12E, SP	6	99.38	596.30
2	9.11.160160.163SP.60	Telescopic profile 160×160, 16E, SP	6	143.85	863.10

Page	Article-No.	Description	1 Piece	PU = 100 Pcs	
			\$/Piece	\$/Piece	\$/PU
3	0.61.D00439.M06	Hexagonal nut, flat, DIN 439 - M6	0.21	0.189	18.90
3	0.63.MT091X.06016	Setscrew, special, M6×16 with spherical head, stainless	0.82	0.738	73.80
3	9.67.1014036	Sliding block, stationary, 40×36.5	5.28	4.752	475.20
3	9.67.1015036	Sliding block, running, 50×36.5	2.95	2.655	265.50
3	9.67.1024	Bush for sliding block, stationary	3.66	3.294	329.40
3	9.67.1024.1208040	Feather key, A 12×8×40, thread M6, with 2 dowel pins	4.58	4.122	412.20

Commercial Terms and Conditions

- Prices:
- All prices are valid in US-\$.
 - Prices do not include freight and packing.
 - Sales Tax, if payable, will be charged at the applicable rate.
 - Unless otherwise specified, all prices listed are for one item.

- Payment:
- All orders are C.O.D. until credit approved.
 - 2 % discount if paid within 14 days. All balances are due within 30 days of invoice.
 - F.O.B. Shipping Point.

- Minimum Order:
- A surcharge of \$ 15.00 will apply to all orders less than \$ 150.00.

- Restocking Fee:
- In case of returned goods, a 20 % restocking fee will be charged with a minimum fee \$ 25.00.

- Price Validity:
- This price list replaces all previous price lists. Error and price change are excepted.

- Conditions:
- Subject to the 'General Terms and Conditions of Sale' available on request.

Imprint

Subject to technical modification.
All rights reserved.

Copying - also in parts - only allowed by written consent.

© MayTec Aluminium Systemtechnik GmbH,
D - 85221 Dachau, 2008

Australia

MayTec Australia P/L
Unit 1, 8 Prosperity Parade
Warriewood, NSW 2102

country code: +61
phone (0) 2 / 9999 0890
fax (0) 2 / 9979 8703
e-mail: info@maytec.com.au
<http://www.maytec.com.au>

Germany

MayTec Aluminium
Systemtechnik GmbH
Kopernikusstraße 20
D - 85221 Dachau

country code: +49
phone (0) 8131 / 33 36 - 0
fax (0) 8131 / 33 36 - 119
e-mail: mail@maytec.de
<http://www.maytec.de>

USA

MayTec Inc.
1625 Dundee Ave., Unit E-F
Elgin, IL 60120

country code: +1
phone 847 - 429 - 0321
fax 847 - 429 - 0460
e-mail: mail@maytecinc.com
<http://www.maytecinc.com>

Your professional partner